

Growatt 7000~11000TL3-S

- Max. Efficiency 98%
- Dual MPP trackers
- Supports export limitation
- Integrated DC switch
- Max. DC voltage 1000VDC
- Natural cooling



P O W E R
- I N G
T O M O R R O W
R R O W



www.ginverter.com

Datasheet	7000TL3-S	8000TL3-S	9000TL3-S	10000TL3-S	11000TL3-S
-----------	-----------	-----------	-----------	------------	------------

Input Data					
Max. recommended PV power (for module STC)	9310W	10640W	11970W	13300W	14630W
Max. DC voltage	1000V	1000V	1000V	1000V	1000V
Start Voltage	160V	160V	160V	160V	160V
MPP work voltage range	200V-1000V	200V-1000V	200V-1000V	200V-1000V	200V-1000V
Nominal voltage	600V	600V	600V	600V	600V
Max. input current	11.5A/11.5A	11.5A/11.5A	11.5A/11.5A	13A/13A	13A/13A
Number of independent MPP trackers/strings per MPP tracker	2/1	2/1	2/1	2/1	2/1

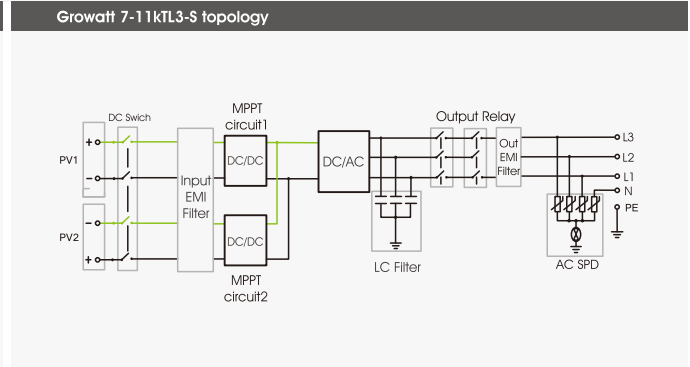
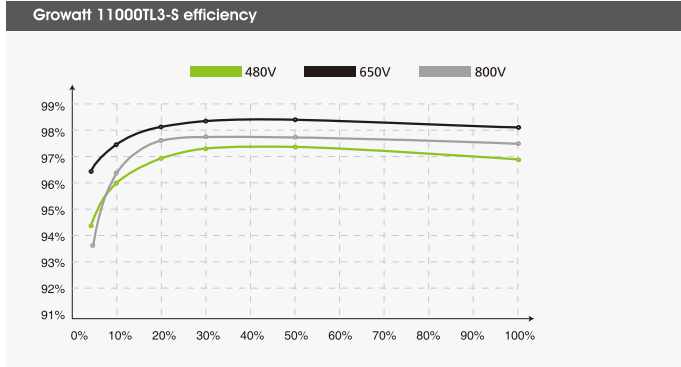
Output (AC)					
Rated AC output power	7kW	8kW	9kW	10kW	11kW
Max. AC apparent power	7.7kVA	8.8kVA	9.9kVA	11kVA	12.1kVA
Max. output current	11.7A	13.3A	15A	16.7A	18.3A
AC nominal voltage	230V/400V ; 320-478V	230V/400V ; 320-478V	230V/400V ; 320-478V	230V/400V ; 320-478V	230V/400V ; 320-478V
AC grid frequency	50/60Hz, ±5Hz	50/60Hz, ±5Hz	50/60Hz, ±5Hz	50/60Hz, ±5Hz	50/60Hz, ±5Hz
Power factor	0.8leading - 0.8lagging	0.8leading - 0.8lagging	0.8leading - 0.8lagging	0.8leading - 0.8lagging	0.8leading - 0.8lagging
THDI	<3%	<3%	<3%	<3%	<3%
AC grid connection type	3W+N+PE	3W+N+PE	3W+N+PE	3W+N+PE	3W+N+PE

Efficiency					
Max. efficiency	98.3%	98.3%	98.4%	98.4%	98.4%
Euro - eta	97.5%	97.8%	98%	98%	98%
MPPT efficiency	99.5%	99.5%	99.5%	99.5%	99.5%

Protection Devices					
DC reverse polarity protection	yes	yes	yes	yes	yes
DC switch	yes	yes	yes	yes	yes
Output over current protection	yes	yes	yes	yes	yes
Output AC overvoltage Protection - Varistor	yes	yes	yes	yes	yes
Ground fault monitoring	yes	yes	yes	yes	yes
Grid monitoring	yes	yes	yes	yes	yes
Integrated all-pole sensitive leakage current monitoring unit	yes	yes	yes	yes	yes

General Data					
Dimensions (W / H / D) in mm	480/448/200	480/448/200	480/448/200	480/448/200	480/448/200
Weight	21.6kg	21.6kg	21.6kg	21.6kg	21.6kg
Operating temperature range	-25 °C ... +60 °C	-25 °C ... +60 °C	-25 °C ... +60 °C	-25 °C ... +60 °C	-25 °C ... +60 °C
Noise emission (typical)	≤35 dB(A)	≤35 dB(A)	≤35 dB(A)	≤35 dB(A)	≤35 dB(A)
Altitude	3000m	3000m	3000m	3000m	3000m
Self-consumption night	< 0.5W	< 0.5W	< 0.5W	< 0.5W	< 0.5W
Topology	Transformerless	Transformerless	Transformerless	Transformerless	Transformerless
Cooling concept	Natural	Natural	Natural	Natural	Natural
Environmental Protection Rating	IP65	IP65	IP65	IP65	IP65
Relative humidity	0~100%	0~100%	0~100%	0~100%	0~100%

Features					
DC connection	H4/MC4(opt)	H4/MC4(opt)	H4/MC4(opt)	H4/MC4(opt)	H4/MC4(opt)
AC connection	Screw terminal	Screw terminal	Screw terminal	Screw terminal	Screw terminal
Display	LCD	LCD	LCD	LCD	LCD
Interfaces:RS232/RS485/RF/Wi-Fi	yes/yes/opt/opt	yes/yes/opt/opt	yes/yes/opt/opt	yes/yes/opt/opt	yes/yes/opt/opt
Warranty:5 years/10 years	yes/opt	yes/opt	yes/opt	yes/opt	yes/opt



CE, IEC 62109-1/2, VDE 0126-1-1, Greece, VFR 2014, VDE-AR-N4105, G83, EN50438, CEI 0-21, AS4777, IEC 61727, IEC 62116, CQC